

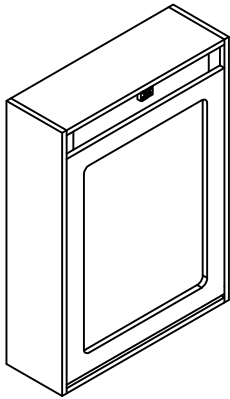
# ASSEMBLY INSTRUCTIONS

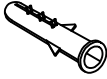


## Wall-Mounted Folding Desk



SKU: FDWMDWBBERN

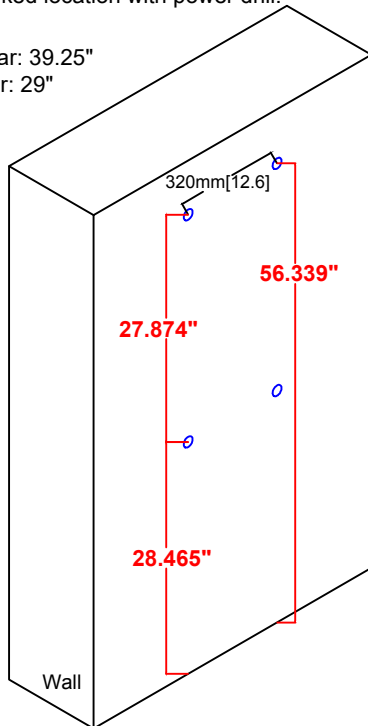
Ver. 07.21



HARDWARE							
A	Plastic Wall Anchor	4 pcs		C	Z-bar	4 pcs	
B	Screw	4 pcs					

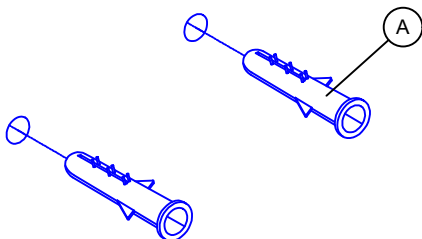
1. Mark the required height of the wall-mounted desk. Place the Z-bar (C) on the wall and mark the center of each hole. Drill 2 pilot holes (6mm) at marked location with power drill.

From ground to higher Z-bar: 39.25"  
From ground to lower Z-bar: 29"

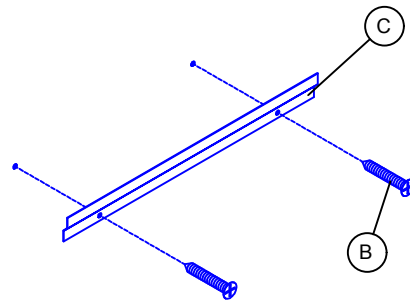


NOTE: Use a bubble level to help to keep the Z-bar level.

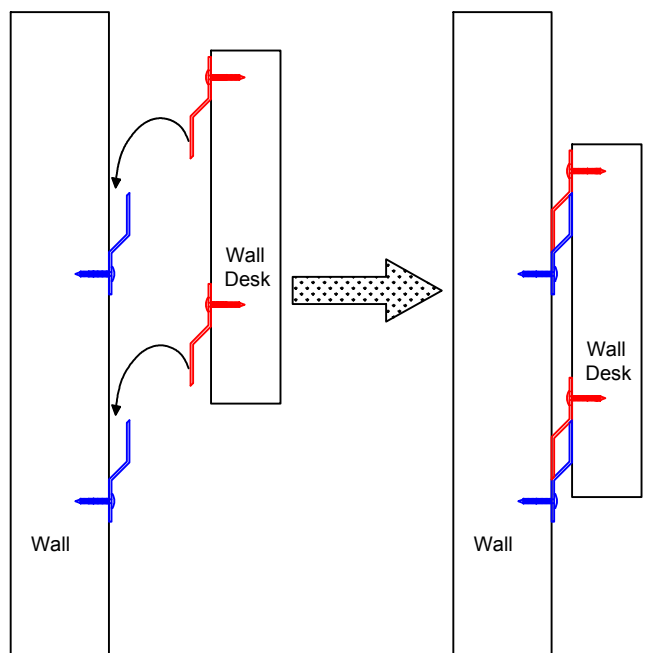
2. Insert 1 Plastic Wall Anchor (A) into each pilot hole on the wall. Use a rubber mallet to tap them flush with the wall.

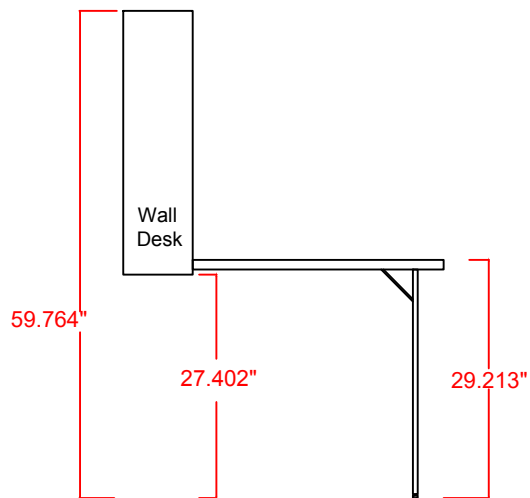
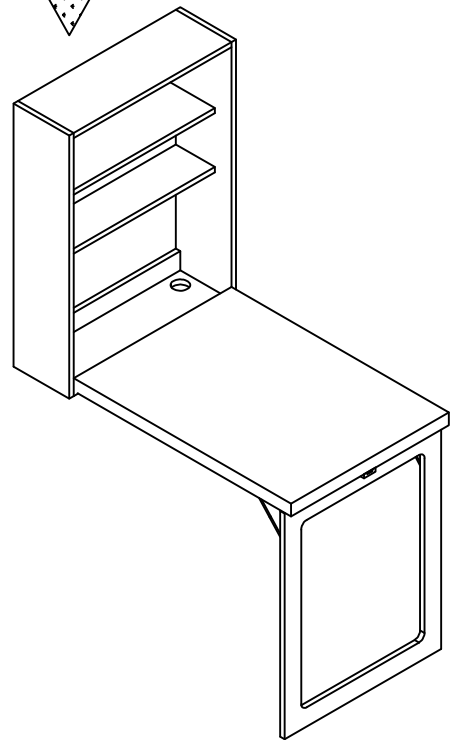
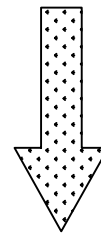
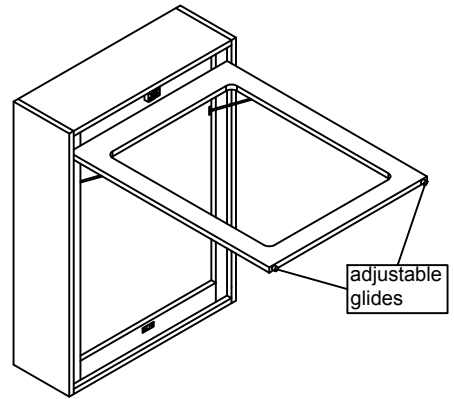
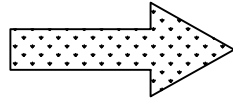
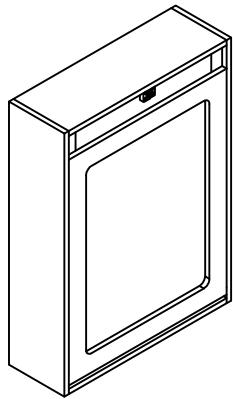


3. Place the Z-bar (C) against the wall as shown and fix it with the 2 enclosed Screws (B).



4. Carefully lift up the foldable desk above the mounted Z-bar. Push the unit against the wall and slowly lower the unit onto the Z-bar. Check the desk and make sure it's mounted securely





**MAIN DIMENSIONS**



Scan QR code to visit product page

If you have any questions regarding our products, please visit us at [www.displays2go.com](http://www.displays2go.com) or contact D2G customer service at 844-221-3388.